

KISTOCK DATALOGGER

Laboratories range : KTR350 / KTH350



- IP65
- : 100000
- 3 가
- 가
- 2
- 1000
- LCD

		가		
KTR-350	no	2	Pt100 /	
KTH-350-A	yes	1	Pt100 /	+
KTH-350-P	no	2		+
KTH-350-I	no	2		+
KTH-350	no	2		

	KTR350	KTH350
	°C, °F, mV, V, mA, A	°C, °F, %RH, mV, V, mA, A, °Ctd, °Ftd
	0.1 °C, 0.1 °F, 0.001 V, 0.001 mA, 0.1 A	0.1 °C, 0.1 °F, 0.1%RH, 1mV, 0.001V, 0.001mA, 0.1A
	2 Pt100	1 2 Pt100
	2	
	1 24	
	From -40 to +70 °C	
	From -40 to +85 °C	
	5	

98.7 x 67.8 x 34.7mm

113 g

1 line LCD screen
Dimension : 45 x 47 mm

2 : Select, OK

ABS

IP 65

PC

1 digital input for male Jack connector 3.5

Lacquer protected circuit board
Meets RoHS standards

3.6 V ½ AA

Air and neutral gases

	From 0 to 100 RH
	Accuracy** (Repeatability, linearity, hysteresis) : $\pm 1,5\%RH$ (from 15°C to 25 °C) Factory calibration uncertainty : $\pm 0,88\%RH$ Temperature dependence : $\pm (0,04 \times (T-20))\%RH$ (if $T < 15^\circ C$ or $T > 25^\circ C$) $T_{0,63} = 25$ s (from 10%RH to 80%RH, $V_{air} = 2$ m/s)
	Pt100 Class 1/3 DIN as per IEC 751
	From -20 to +70 °C (KTH-350-A) From -20 to +120 °C (KTH-350-P) From -40 to 180 °C (KTH-350-I)
	KTH-350-A : From +10 to +30°C : ± 0.3 °C Beyond : ± 0.5 °C KTH-350-P, KTH-350-I : $\pm 0.3\%$ of the reading value ± 0.25 °C $T_{0,63} = 9$ s (from 10%RH to 80%RH, $V_{air} = 2$ m/s)

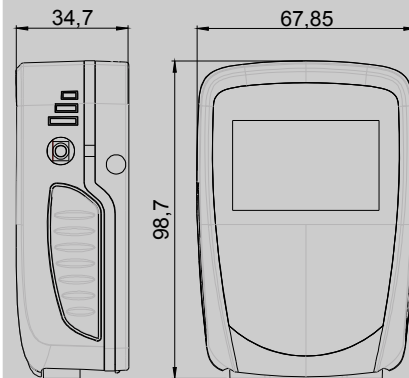
*All accuracies indicated in this document were stated in laboratory conditions and can be guaranteed for measurements carried out in the same conditions, or carried out with calibration compensation.

**As per NFX 15-113 standard and the charter 2000/2001 Hygrometers, GAL (Guaranteed Accuracy Limit) which has been calculated with a coverage factor value of 2 is $\pm 2,88\%RH$ between 18 and 28°C on the measuring range from 5 to 95%RH. Sensor drift is less than 1%RH/year.

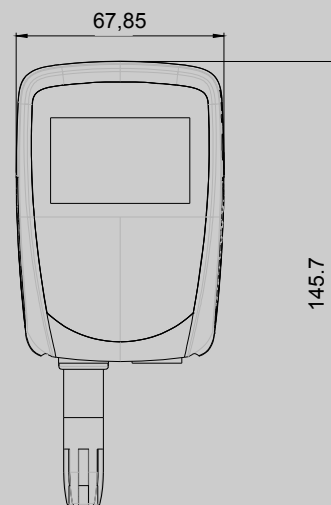
&
KTH350 KTR350

()	Pt100 class A as per IEC 751
	From -100 to +400 °C (according probe)
	Remove probe : ± 0.4 of the reading $\pm 0.3^\circ C$
()	0/4-20 mA
	± 0.2 % of the measurement ± 1 μA
()	0-10 V
	± 0.2 % of the measurement ± 1 mV
()	0-50 A / 0-100 A / 0-200 A / 0-600 A
	± 1 to 2.5 % of the value displayed (according to measuring range)

KTR350 – KTH-350-P - KTH-350-I



KTH-350-A



(KTR 350,
KTH-350-P et KTH-350-I)



(KTH-350-A)



5가

"Immediate" ()
"Minimum", "Maximum" "Average"

"Monitoring"

(.)
- setpoint
- setpoint

"loop " 가 .
dataset :4가

push button
Online : PC

dataset : 6가

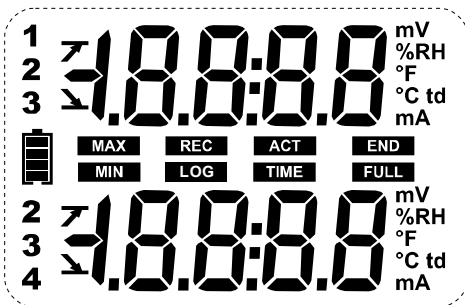
FULL

"OK": -

가

- 2 가 ("Delta T"),
-
-
- "Hold"

SCREEN



END DATASET

REC

LOG :

: data set

12

23

34

FULL :

80-90%

90-100%

: 가

ACT

TIME

MIN

MAX



: / action



: 5 (4 +)

°C...
°F...
%RH..... (KH 210)
td... (KH210)
V or mV
A or mA

bAt LED 가

Err LED : -> "select " & "OK"

RESET

Err LED : -> "select " & "OK"

RESET

PC CONNECTIONS

Input for PC connection

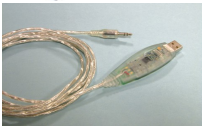
Jack connector
(3.5)
Input for Kistock-
PC software



SOFTWARE



- Configuration and data processing software &
 Software.....Ref. KILOG-N
 USB interface.....Ref. I-KIC2
 Complete set : soft + 1 interface.....Ref. KIC2 KILOG



- KISTOCK-PC interface K
 PC- KISTOCK() USB
 Ref. I-KIC2



Software is compatible with the former range of Kistock.

•KILOG CFR software



KILOG CFR 21CFR-Part 11
 가 가

Interface.....Ref. I-KIC2
 Complete set : KILOG 1CFR software + 1 interface...Ref. KIC2-CFR-N

ACCESSORIES



• KNT



PC
 Ref. KNT 300



• KNT Ref. ITP



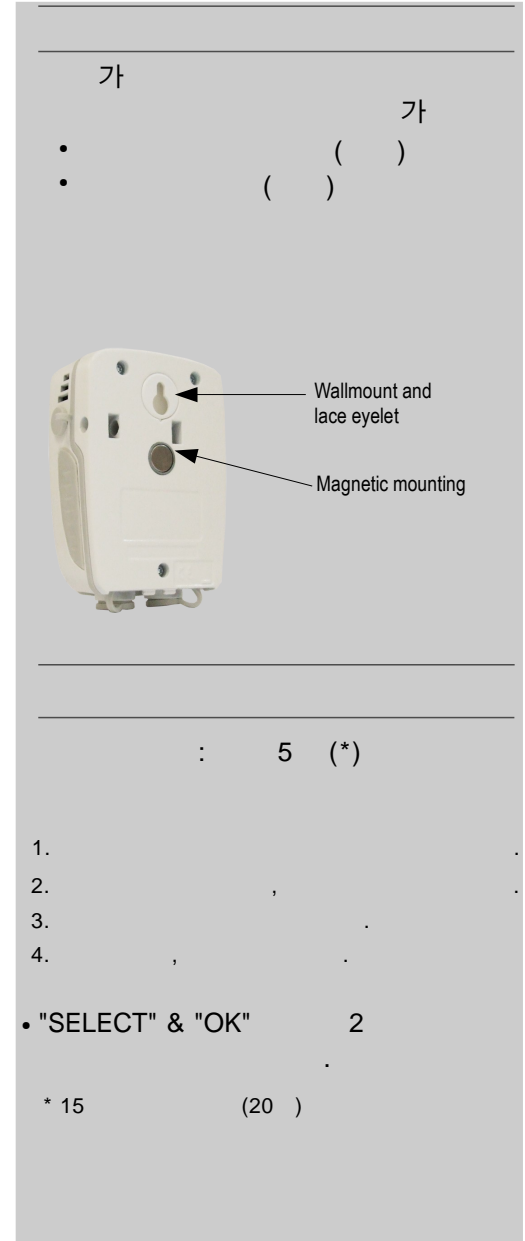
Ref. KAV-N



KISTOCK

- NTC
 PVC, 5m, (male & female)
 Ref. KRC 5
 - 25m 가

- Lace. Ref. KDC
- Lithium ½ AA battery. Ref. KBL



가 가
 ()
 ()

: 5 (*)

- 1.
 - 2.
 - 3.
 - 4.
- "SELECT" & "OK" 2

* 15 (20)

CALIBRATION (Optional)

KISTOCK dataloggers can be supplied with calibration certificate as an option.

WARRANTY PERIOD

KISTOCK dataloggers have 1-year guarantee for any manufacturing defect (return to our After-Sales Service required).

www.kimo.fr

Distributed by :



EXPORT DEPARTMENT
 Tel : + 33. 1. 60. 06. 69. 25 - Fax : + 33. 1. 60. 06. 69. 29
 e-mail : export@kimo.fr